

External Single-port Active GNSS Antenna

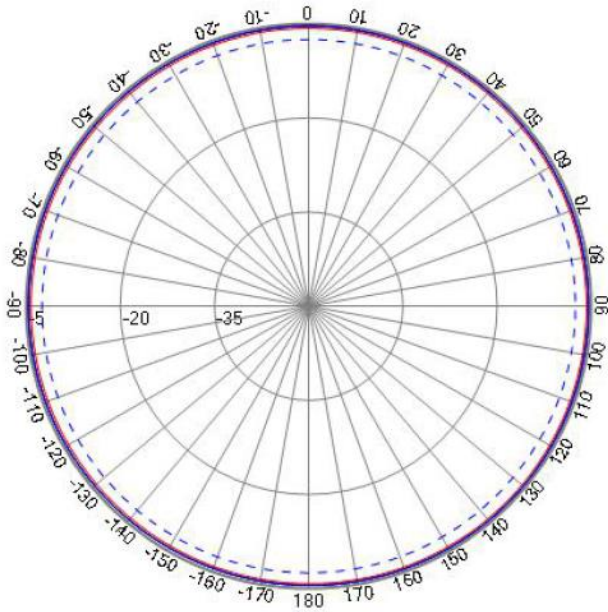
- Technology: GPS L1/BD B1
- High gain GNSS antenna (LNA Integrated)
- Screw mounting
- Applications in utilities, tracking, transportation, wireless communications etc.



| Item | Performance Specifications |
|-------------------------------|---------------------------------------|
| GNSS Antenna Center Frequency | 1575MHz |
| GNSS Antenna Polarization | RHCP |
| GNSS Axial Ratio | 3dB (max) |
| GNSS Antenna Peak Gain | ≥5dBi |
| GNSS Antenna V.S.W. R | ≤1.5 |
| GNSS Antenna Impedance | 50 Ω |
| Phase Center Error | ±2mm |
| Horizontal coverage angle | 360° |
| LNA Gain | 40±2dB |
| LNA Noise Figure | ≤1.5dB |
| LNA V.S.W. R | ≤2.0 |
| LNA Supply Voltage | 3~12V DC |
| Current Consumption | ≤40mA |
| Passband fluctuation | ±1.5dB |
| Connector | TNC-K, fully customized |
| Radome Material | ASA, fully customized |
| Mounting Method | Screw, fully customized |
| Operating Temperature | -40°C~+85°C |
| Relative Humidity | Up to 95% |
| Ingress Protection | IP67 (exclude Air vent in screw hole) |
| Environmentally Friendly | ROHS compliant |

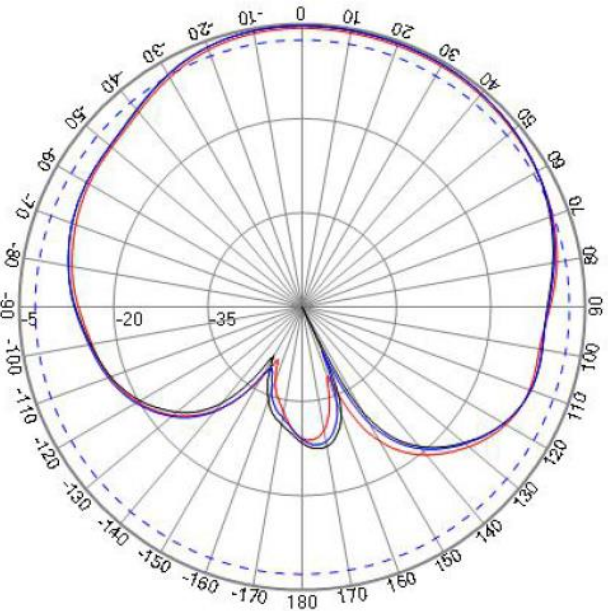
Radiation Pattern

GNSS Antenna



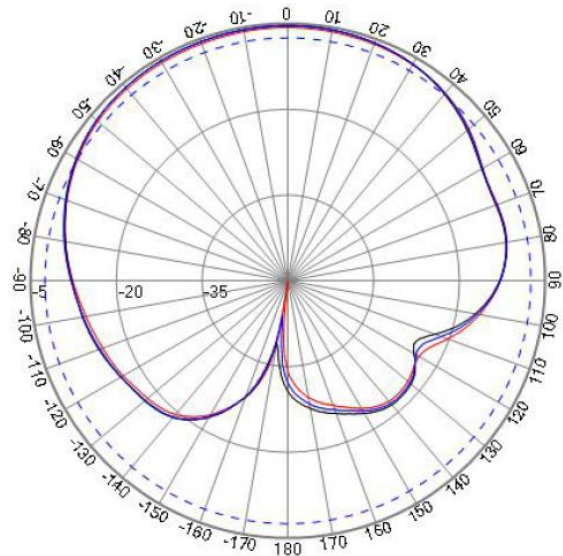
XY-PLANE

- Freq: 1602
- Freq: 1561
- Freq: 1575



XZ-PLANE

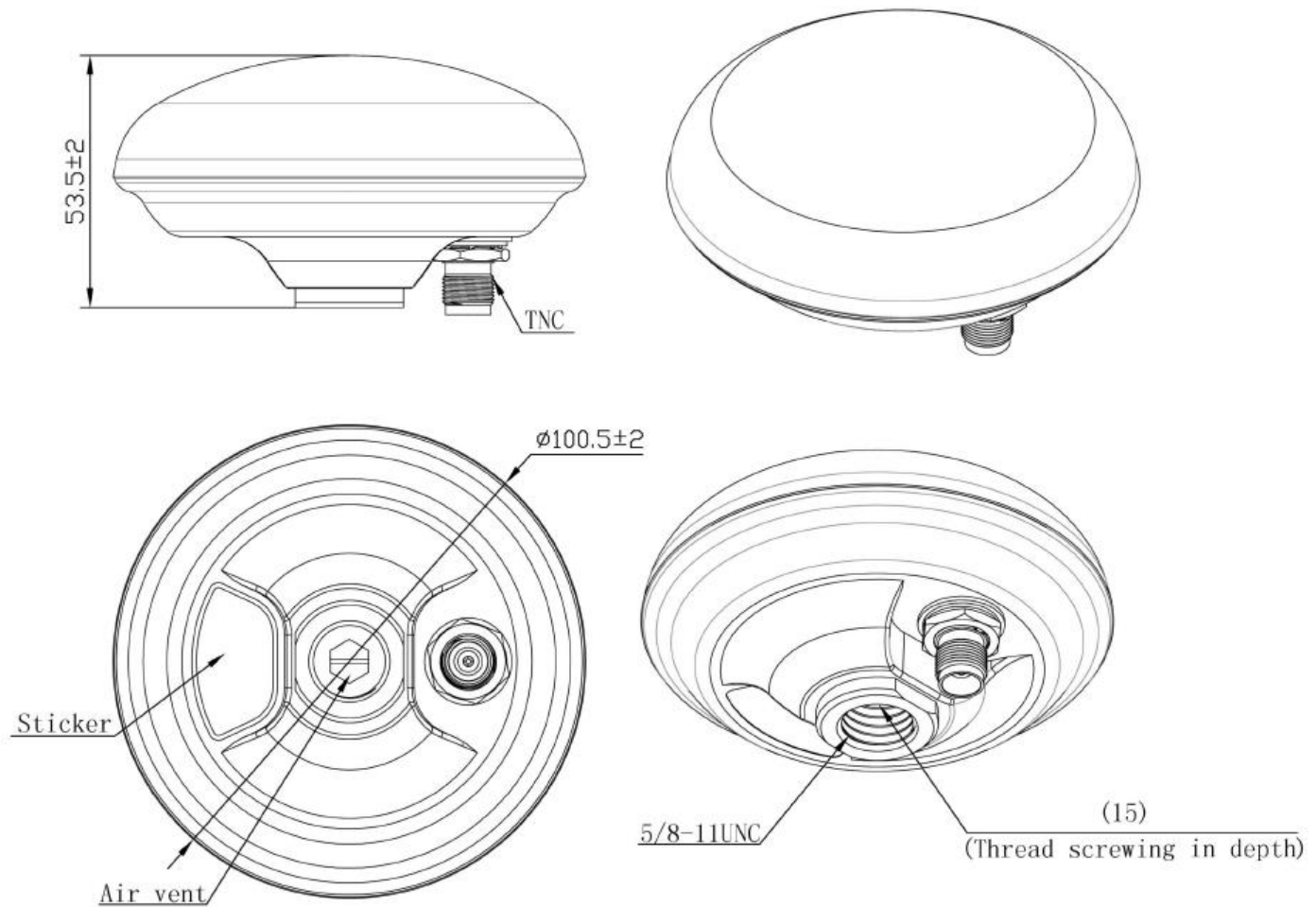
- Freq: 1602
- Freq: 1561
- Freq: 1575



YZ-PLANE

- Freq: 1602
- Freq: 1561
- Freq: 1575

Antenna Mechanical Drawing



Unit:mm