

External Single-port Active GNSS Antenna

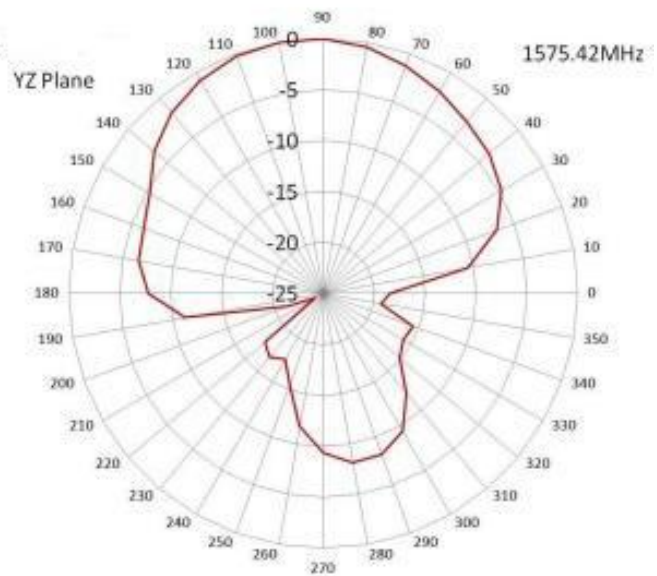
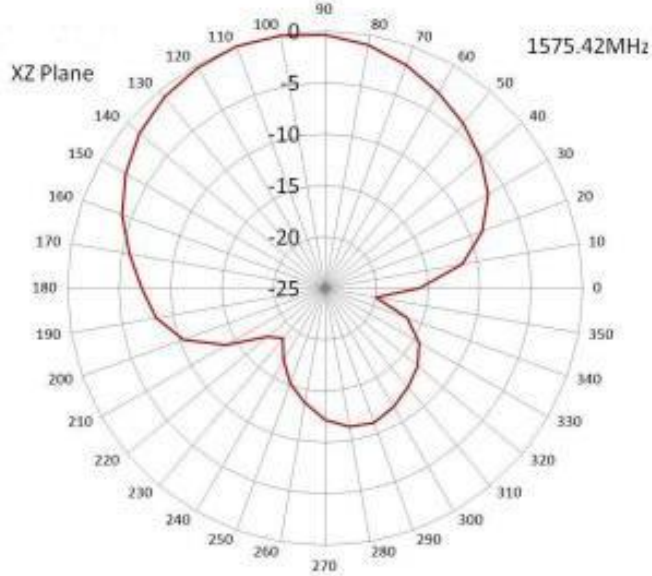
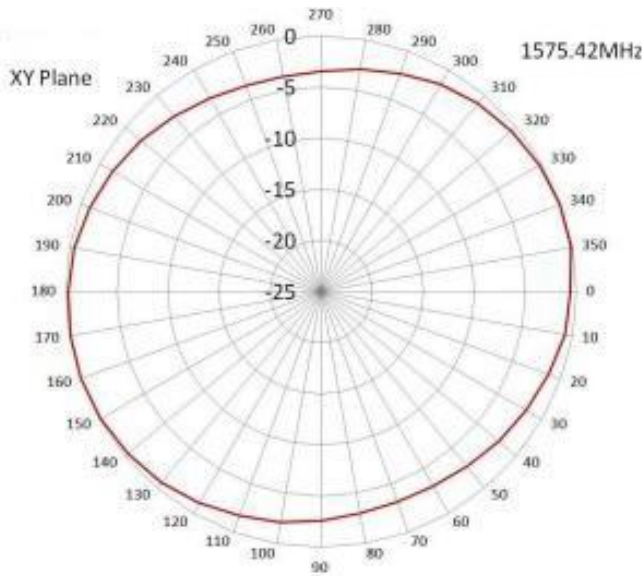
- High Gain > 28dB, LNA integrated
- Technology: GPS L1, Beidou B1
- Adhesive mounting.
- Applications in utilities, tracking, transportation, wireless communications etc.



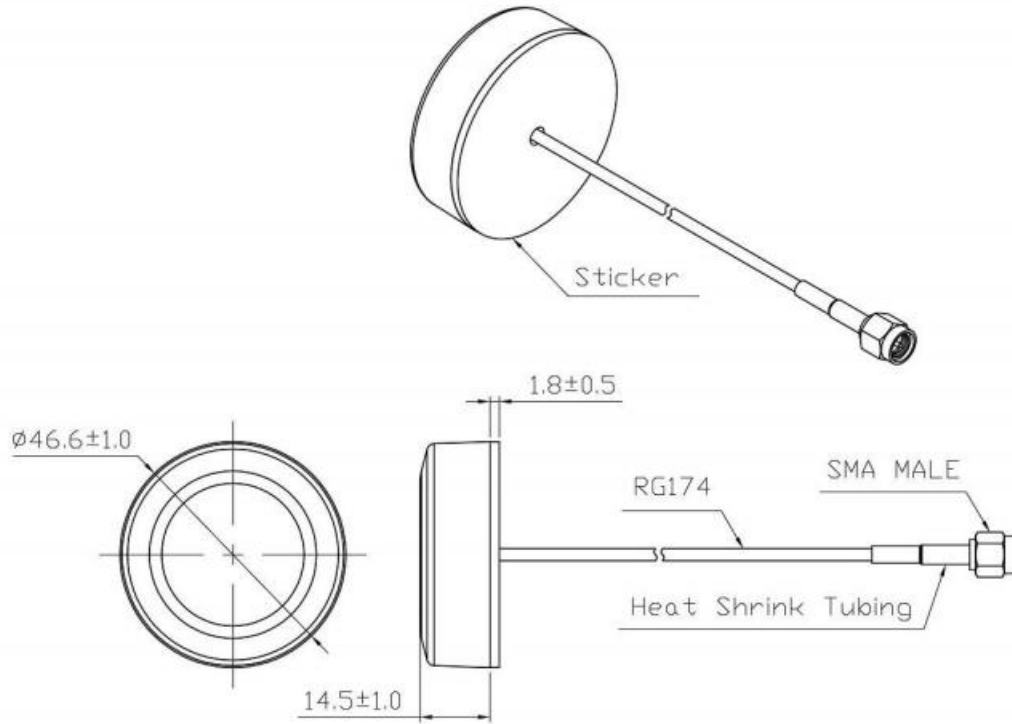
Item	Performance Specifications
Center Frequency	1575±3MHz
Band Width	CF±5MHz
Polarization	RHCP
Peak Gain	2dBic (Zenith)
V.S.W.R	<1.5
Impedance	50 Ω
Axial Ratio	3dB (max)
LNA Gain	28±2dB
LNA Noise Figure	<1.5dB
LNA V.S.W.R	<2
LNA Supply Voltage	3~5V DC
LNA Current Consumption	8~18mA
Cable	RG174, fully customized
Connector	SMA, fully customized
Mounting Method	Adhesive, fully customized
Operating Temperature	-40°C~+85°C
Relative Humidity	Up to 95%
Vibration	10 to 55Hz with 1.5mm amplitude 2 hours
Environmentally Friendly	ROHS compliant

Radiation Pattern

GNSS Antenna



Antenna Mechanical Drawing



UNIT: mm